



Salamander Stoves Ltd

Rosemount, Canada Hill
Ogwell, Devon, TQ12 6AF

Recommended distances to combustibles and shielded combustibles from the stove body only

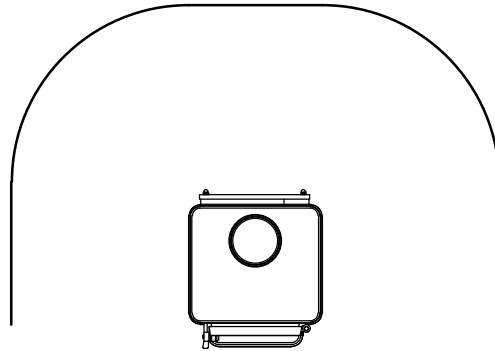
All stove, flue and chimney installations should follow manufacturers recommendations and comply with all applicable national and local regulations.

Without Heatshields

WITHOUT HEATSHIELDS

Distance to combustibles materials
(eg Timber)

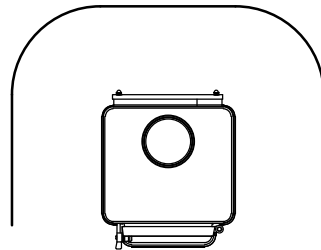
**Side - 400mm
Back - 450mm**



WITHOUT HEATSHIELDS

Distance to shielded combustibles materials
(eg Timber protected by 25mm vermiculite and 12mm air gap)

**Side - 200mm
Back - 200mm**

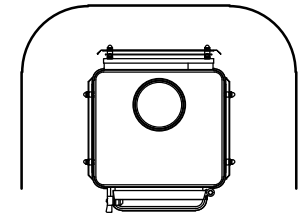


With Heatshields

WITH HEATSHIELDS

Distance to combustibles materials
(eg Timber)

**Side - 150mm
Back - 100mm**



WITH HEATSHIELDS

Distance to shielded combustibles materials
(eg Timber protected by 25mm vermiculite and 12mm air gap)

**Side - 100mm
Back - 100mm**

